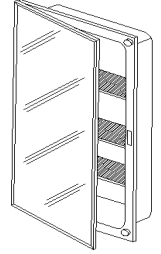


**STYLELINE  
 490  
 MEDICINE CABINET**

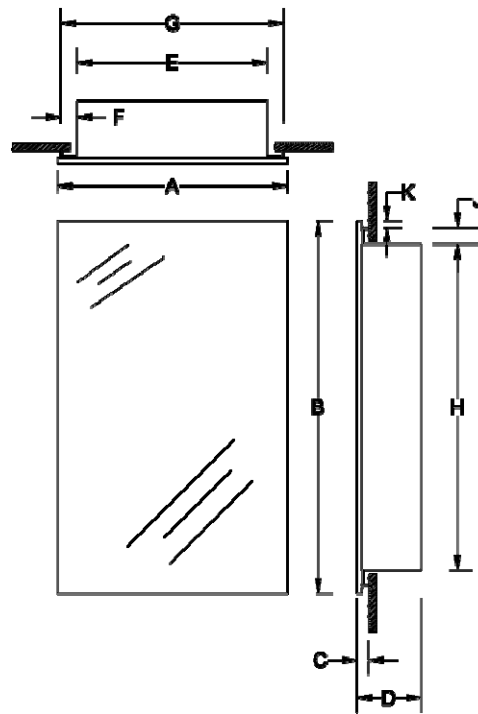


**FEATURES**

- Recessed installation with recommended wall opening of 16" x 21-1/4" x 3-1/2"
- Easy to clean, one piece, steel construction.
- Formed and welded 24 gauge steel body with white powder coat paint finish
- Door back is 24 gauge steel with white powder coat paint finish
- 1/8" thick glass mirror on door exterior with 5/16" wide bright stainless steel trim frame with screw closure
- 16" piano hinge with 90° stop is welded to the door and mechanically fastened to the cabinet body
- Magnetic door catch in the cabinet body aligns to a stainless steel striker plate on the door back
- Three adjustable plastic shelves
- Multiple shelf positions are available using two brackets per shelf. Brackets have tabs that fit into any of a number of slots formed in cabinet body sides
- Includes mounting screws and six aluminum shelf brackets
- Reversible for left-hand or right-hand door opening

**SPECIFICATIONS**

**Finishes:**  
 Housing: PT01-Basic White  
 Mirror: Flat Mirror  
 Frame: Polish Stainless Steel Trim (5/16")



| Model Number | DIMENSIONS IN INCHES* |        |       |   |          |        |        |        |   |     |
|--------------|-----------------------|--------|-------|---|----------|--------|--------|--------|---|-----|
|              | A                     | B      | C     | D | E        | F      | G      | H      | J | K   |
| 490          | 18-1/8                | 24-1/8 | 1-3/4 | 5 | 15-11/16 | 1-1/16 | 17-5/8 | 20-3/4 | 1 | 3/4 |

| REFERENCE | QTY. | REMARKS | Project      |
|-----------|------|---------|--------------|
|           |      |         | Location     |
|           |      |         | Architect    |
|           |      |         | Engineer     |
|           |      |         | Contractor   |
|           |      |         | Submitted by |
|           |      |         | Date         |

\* All models and material specifications are subject to change or withdrawal without notice.